

PUE C/31H/EX MEASURING INDICATORS



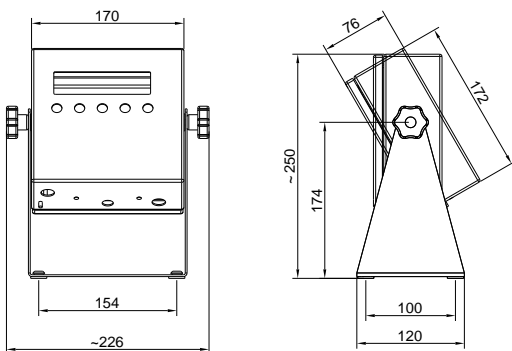
Measuring indicator series PUE C/31H/EX and scales constructed on its basis can be utilized in explosive zones 1 and 2 of mixtures of gases, vapours and fogs with air, which are included in explosive group II and temperature classes T1, T2, T3, T4.

Safety of measuring indicator and scales using PUE C31H/EX is guaranteed by such means as:

- power supply of the indicator from power adapter ZRi02 II (2) G [EEx ib] IIC 06ATEX251 manufactured by RADWAG, and situated outside explosive zone or another power adapter with parameters adequate for spark secured circuit.
- spark secured casing of measuring indicator series PUE C31H/EX, being in conformity with norms: PN-EN 50014 and PN-EN 50020 and confirmed by a certificate KDB 06ATEX250
- application of transducers with explosive safety certificates
- manufacturing of the indicator according to requirements of a norm PN-EN 13463-1 on non-electrical elements of a scale
- user obligation to obey safety precautions as indicated in the user manual of the measuring indicator

CAUTION:

scales equipped with a measuring indicator series PUE C/31H/EX are fed from power adapter ZRi02 II (2) G [EEx ib] IIC 06ATEX251 manufactured by RADWAG, situated outside the explosive zone or another power adapter with parameters adequate for spark secured circuit.



Technical data:

	PUE C/31H/EX
Display	LCD
Keyboard	microswitch
Quantity of buttons	5
Maximal quantity of verifying units	6000 e
Maximal quantity of countings from A/C converter	8388608
Maximal increase of signal	19,5 mV
Maximal voltage on one verifying unit	3,25 μ V
Minimal voltage on one verifying unit	1,0 μ V
Working temperature	-10° - +40 °C
Minimal impedance of load cell	125
Maximal impedance of load cell	1200
Connection of load cells	4 or 6 cables + shield
Multi range	1 or multi-ranges
Casing	stainless steel
IP rating	IP 66/67
Power supply	power adapter ZRi02 II (2) G [EEx ib] IIC